

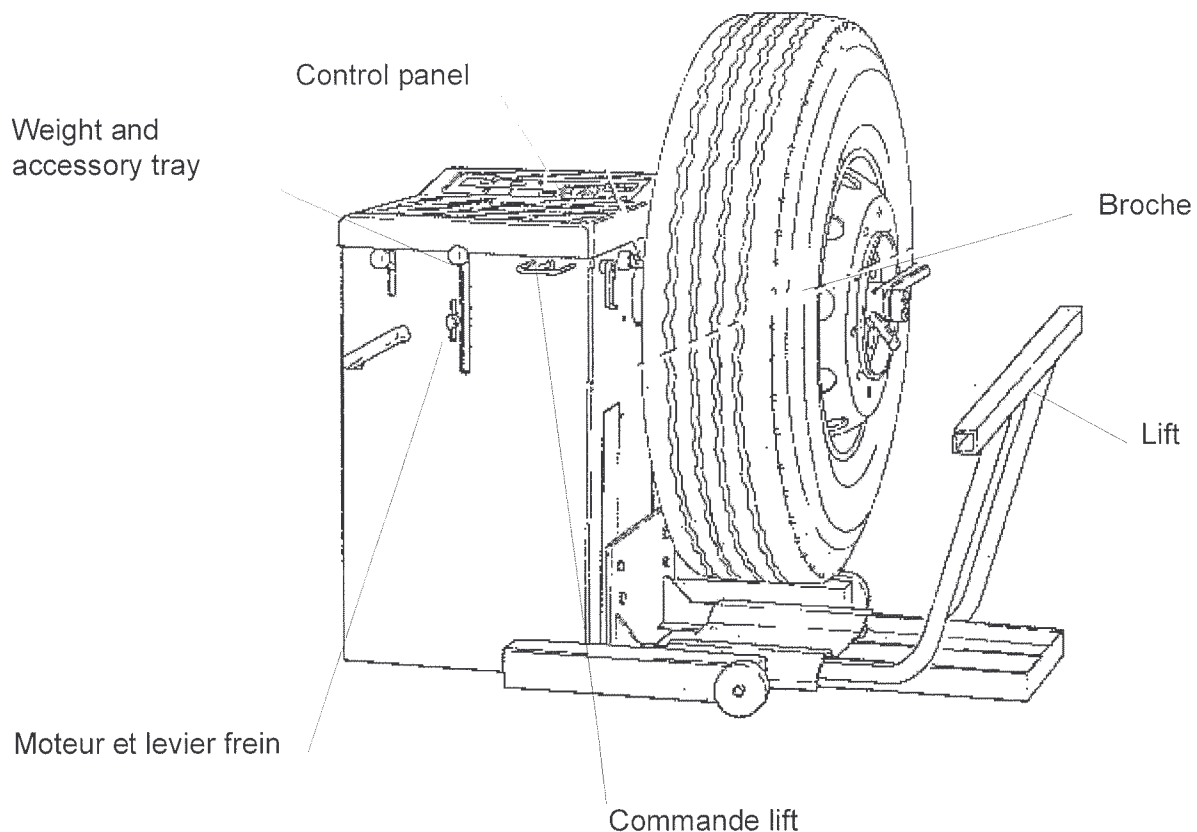


# QUASAR

Nr.0123 - 2000.07

BALANCING MACHINE FOR TRUCKS, BUS AND CAR WHEELS  
WITH MANUAL SPIN OR MOTOR-DRIVEN SPIN

## INSTRUCTION GUIDE

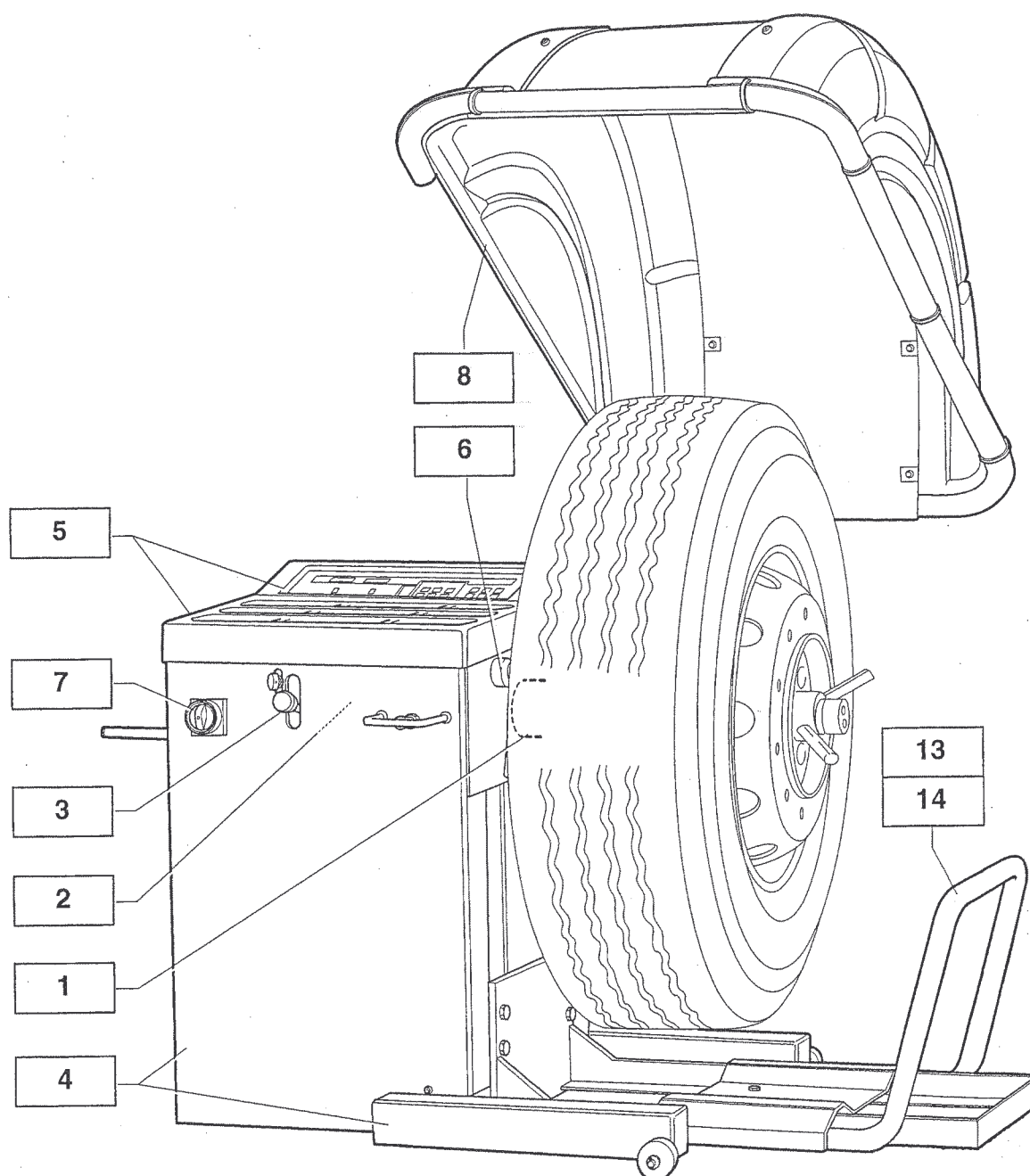


**WERTHER INTERNATIONAL S.p.A.**

Via F. BRUNELLESCHI, 12 42040 CADE' (RE) - ITALY

Telefono ++ / +522 / 9431 (r.a.) - Telefax ++ / +522 / 941997

WEB <http://www.wertherint.com> - E-mail [sales@wertherint.com](mailto:sales@wertherint.com)



D0123-1	0123-1	1	MANDRINO	SHAFT ASSEMBLY
D0113-2	0123-2	2	MOTORE+DATORE DI FASE+ TRASDUTTORI PIEZO	MOTOR+POSITION PICK-UP+ PIEZO TRANSDUCER
D0113-3	0113-3	3	FRENO	BRAKE
D0123-4	0123-4	4	BASAMENTO	CASING
D0123-5	0123-5	5	BASAMENTO	CASING
D0113-6	0113-6	6	CALIBRO DISTANZA	DISTANCE GAUGE
D0123-7	0123-7	7	POTENZA	POWER UNIT
D0113-8	0113-8	8	PROTEZIONE RUOTA	WHEEL GUARD
D0113-13	0123-13	13	LIFT	LIFT
D0113-14	0113-14	14	LIFT	LIFT

\* Particolari reperibili in commercio

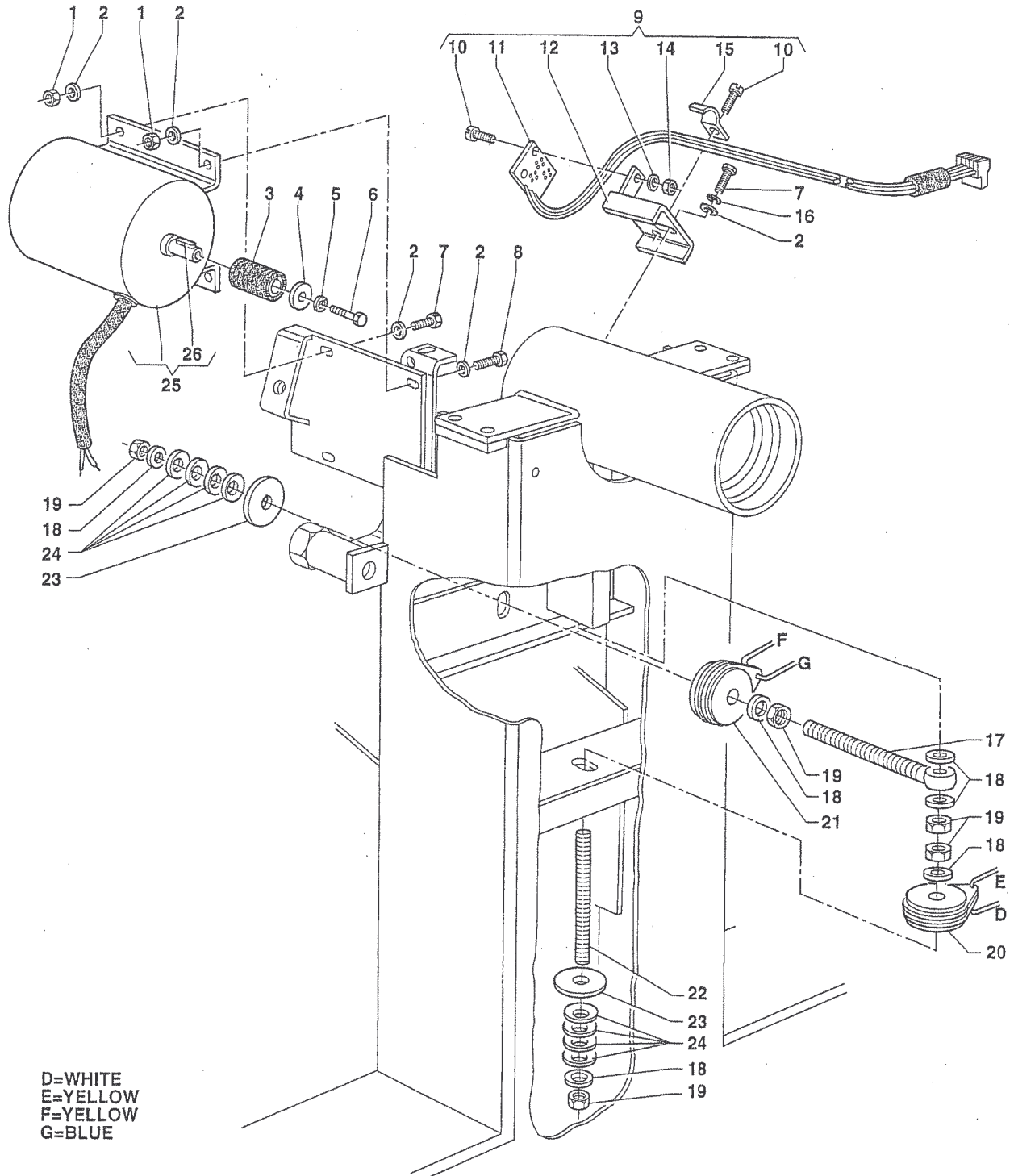
\* Parts on the market

# PDF 0123

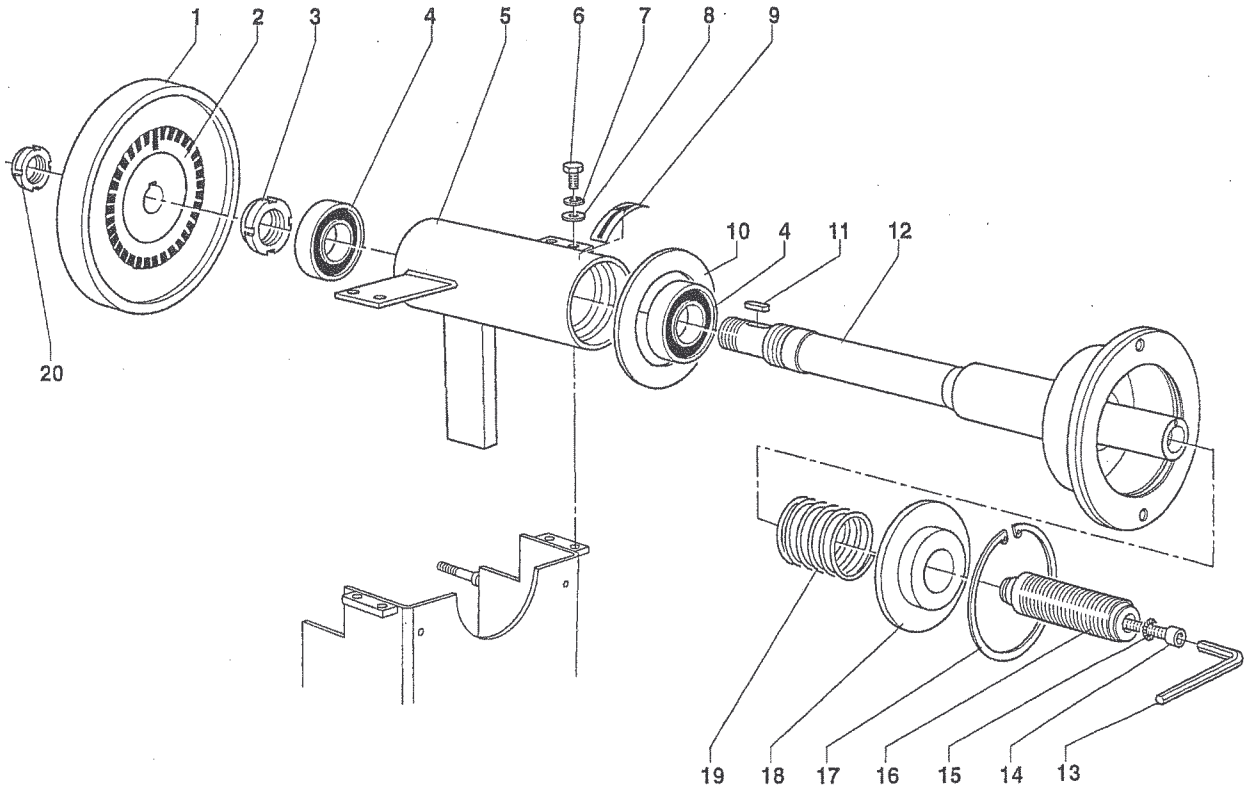
---

Pers.	Option	Description	Code	Drawing
		230V Flow chart		44365P
		115V Flow chart		44366P
		Cable switch/power	86SB37569	37569P
		230V power plate	940603137	32653P
		115V power plate	940603137	36221P
		Motor capacitor 230V	568001458	
		Motor capacitor 100V	568003558	
		Cable with micro-switch for motor start	86SB36222	36222P
		Motor filter	86SB34392	34392P
		Panel	86PR36224	36224P
		Computer set	86SC36223	36223P
		Control panel cable	940593128	
		Piezoelectric transducer cable	940592884	31260P
		Static piezoelectric transducer	940701232	31767P
		Dynamic piezoelectric transducer	940701233	31768P
		Phase indicator	86SD44369	44369P
X		Wheel guard	86SB44557	44557P

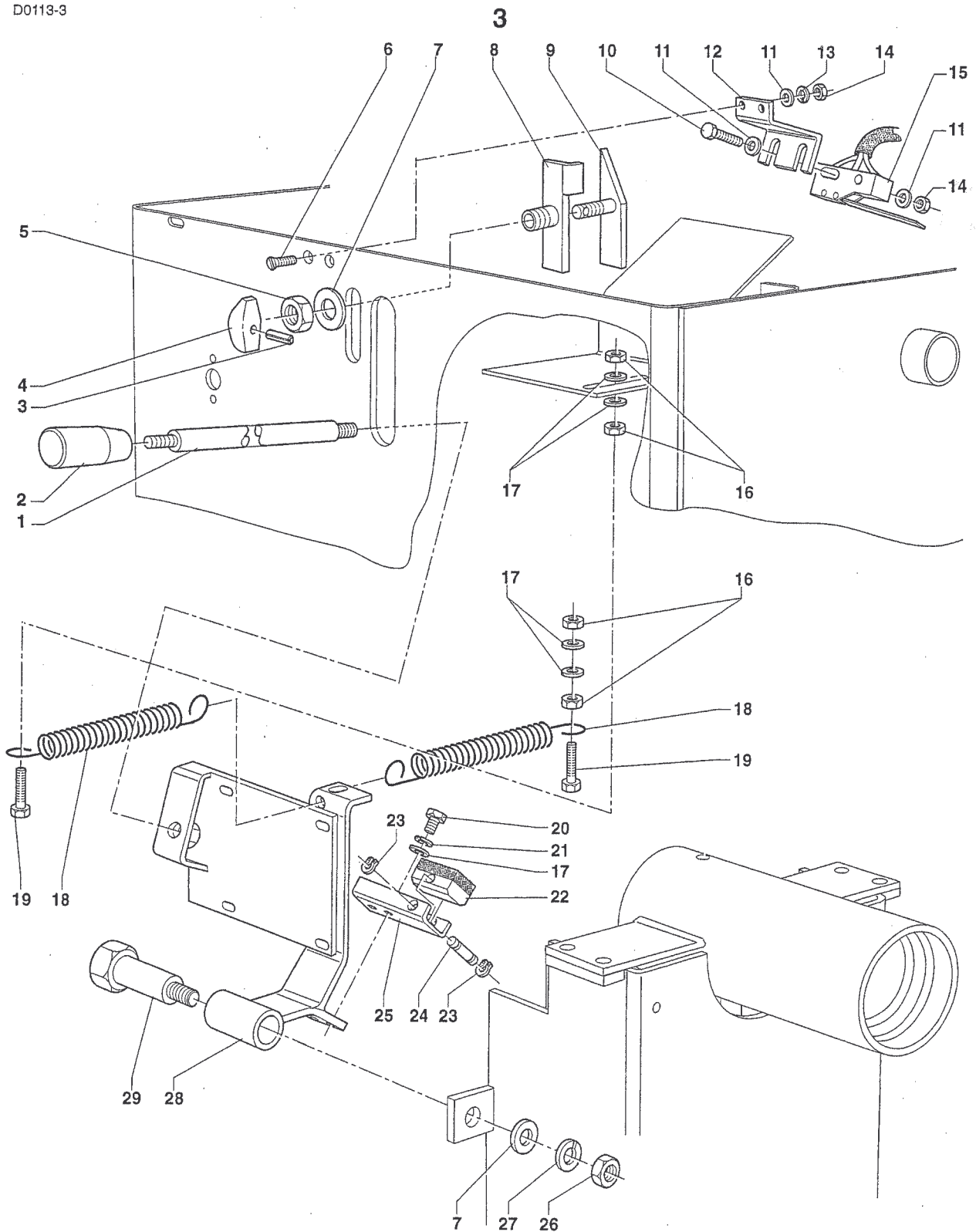




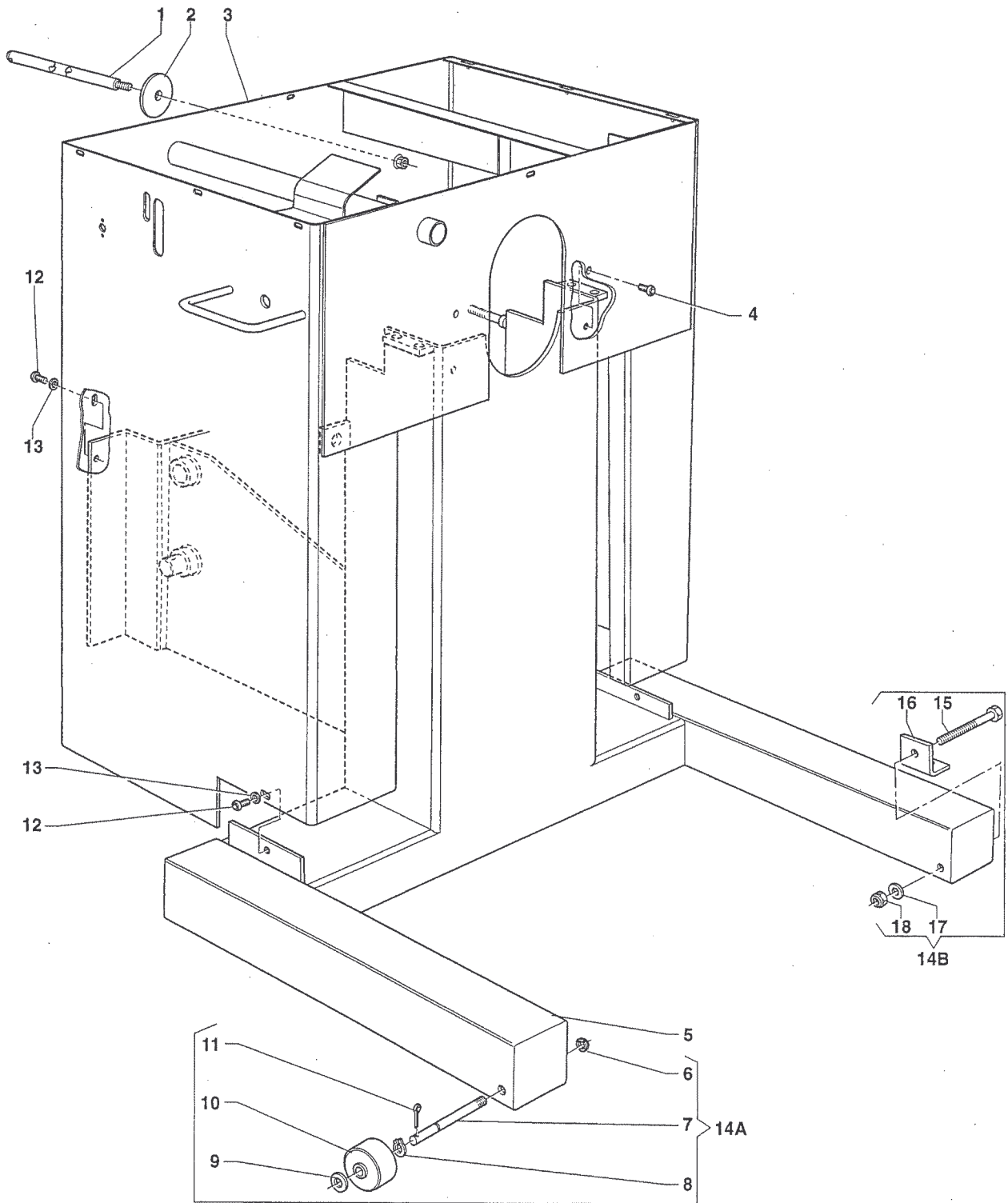
N.	CODE	DATA	N.	CODE	DATA	N.	CODE	DATA
1	321232006	*	11	67M38954M		21	940701233	
2	325035006	*	12	42SD39775		22	105110165	
3	07FG33406		13	325035003	*	23	326035011	*
4	42FG32429		14	321232003	*	24	345122515	*
5	325046004	*	15	420610639		25	501054293	230V/50-60 Hz
6	311120039	*	16	325046006	*	25	502054193	115V/50-60 Hz
7	311220071	*	17	105114744		26	348016015	*
8	311220073	*	18	325035010	*			
9	86SD44369		19	321212010	*			
10	314231018	*	20	940701232				



N.	CODE	DATA	N.	CODE	DATA	N.	CODE	DATA
1	42FM42698		11	348056025	*			
2	04FM38621		12	42FM43622				
3	323333040	*	13	114008002	*			
4	020620803	*	14	312120137	*			
5	42FM32440		15	325047011	*			
6	311220119	*	16	42FM45813				
7	325046010	*	17	.344200118	*			
8	325035010	*	18	42FP41056				
9	040010101		19	181198630				
10	04FM40848		20	323333030	*			

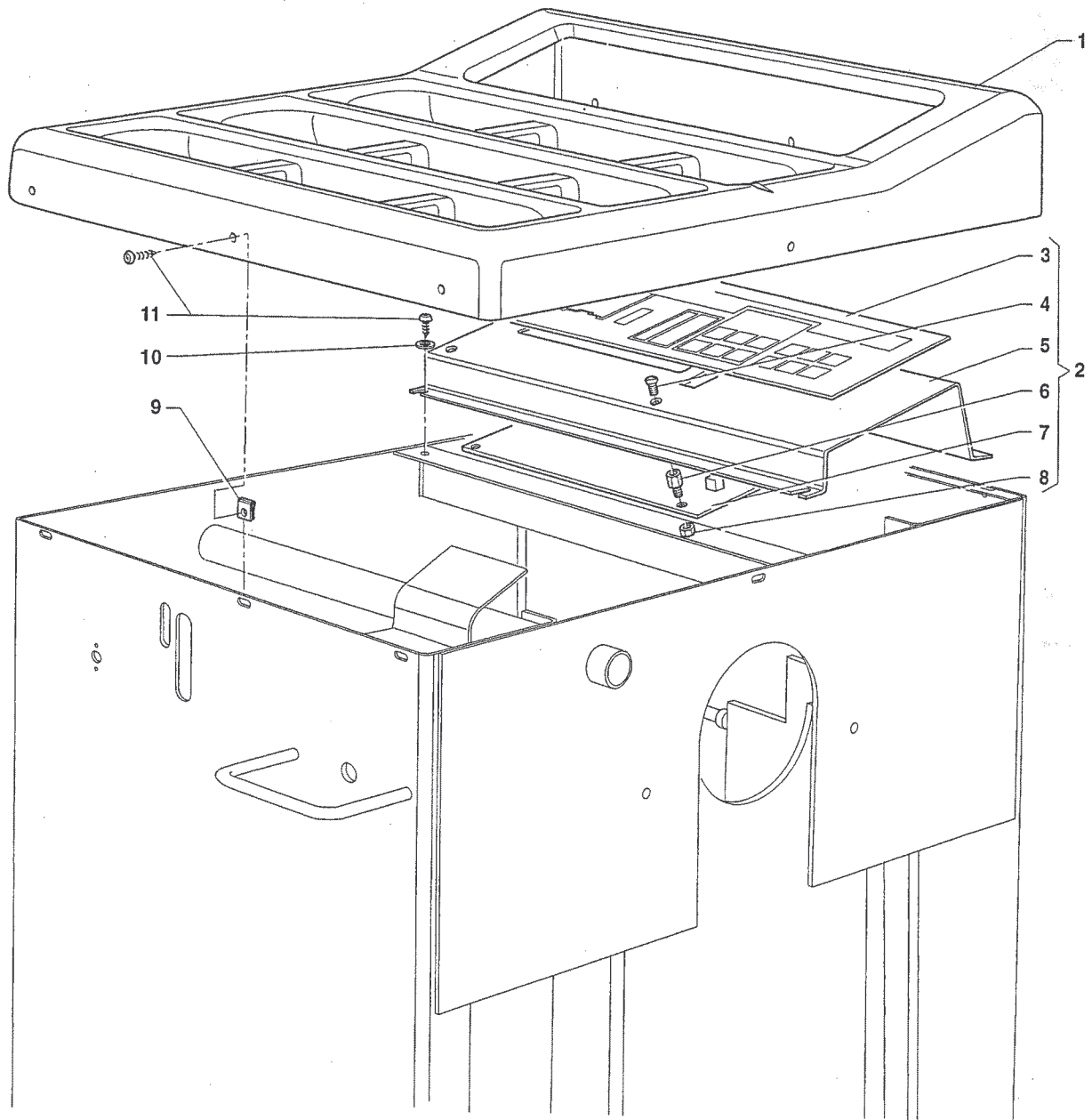


N.	CODE	DATA	N.	CODE	DATA	N.	CODE	DATA
1	42FB36096		11	325035004	*	21	325046006	*
2	067065208	*	12	42FB38776		22	42FB37113	
3	335310007	*	13	325046004	*	23	341000006	*
4	065030106	*	14	321232004	*	24	42FB37116	
5	321202012	*	15	86SB36222		25	42FB37117	
6	315231034	*	16	321232006	*	26	321232012	*
7	325035012	*	17	325035006	*	27	325046012	*
8	420923184		18	182185730		28	42FG37120	
9	420923185		19	311220073	*	29	42FG33402	*
10	311120039	*	20	311220071	*			

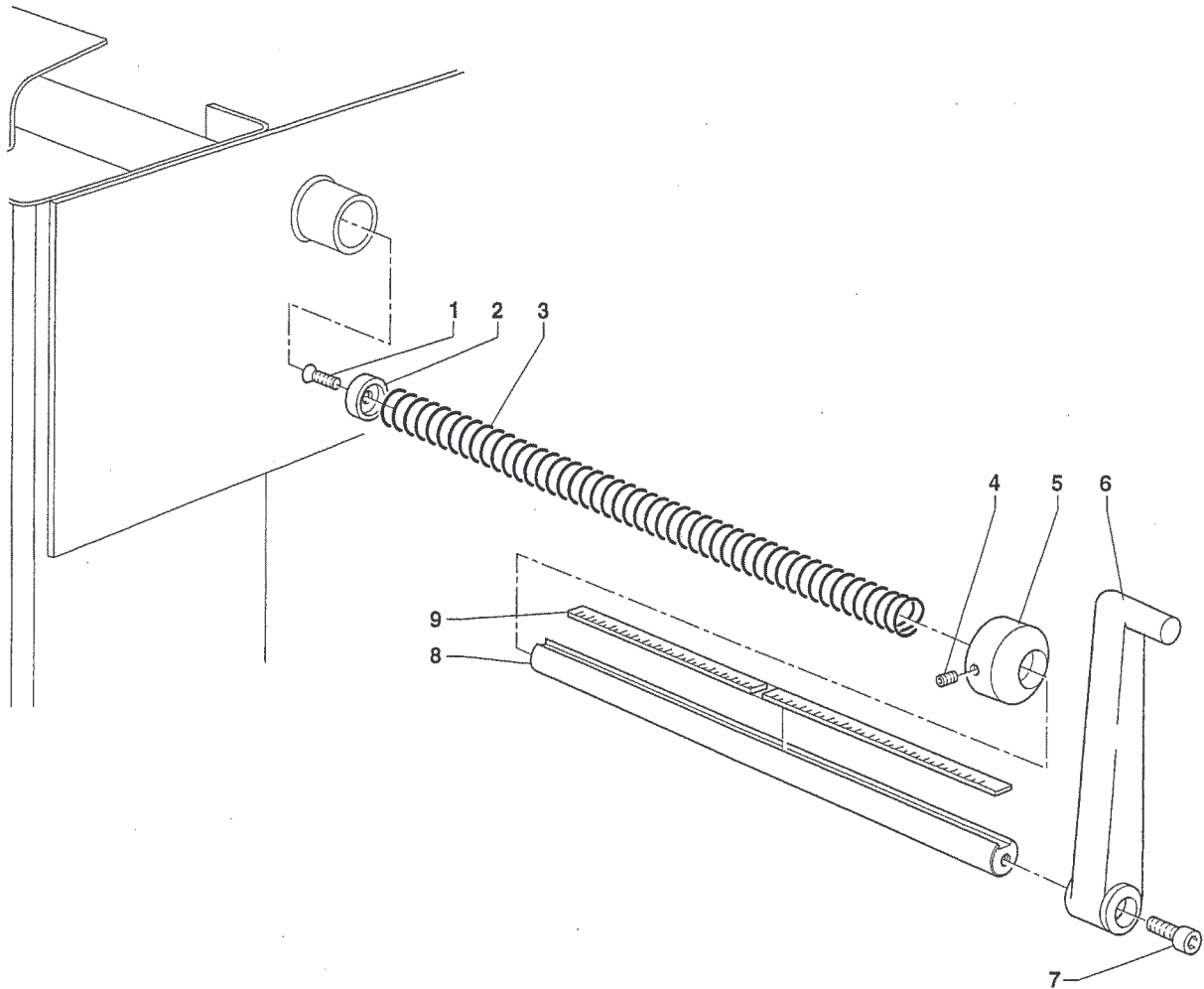


N.	CODE	DATA	N.	CODE	DATA	N.	CODE	DATA
1	105245420		11	337110010	*			
2	140212960		12	317224068	*			
3	42BV44281		13	325035006	*			
4	317224093	*	14A	46FB46704				
5	42BV45966		14B	46FB46703				
6	323333012	*	15	311120131	*			
7	42FB45697		16	42FB41412				
8	341000012	*	17	325035010	*			
9	325035012	*	18	321233010	*			
10	152065123	*						

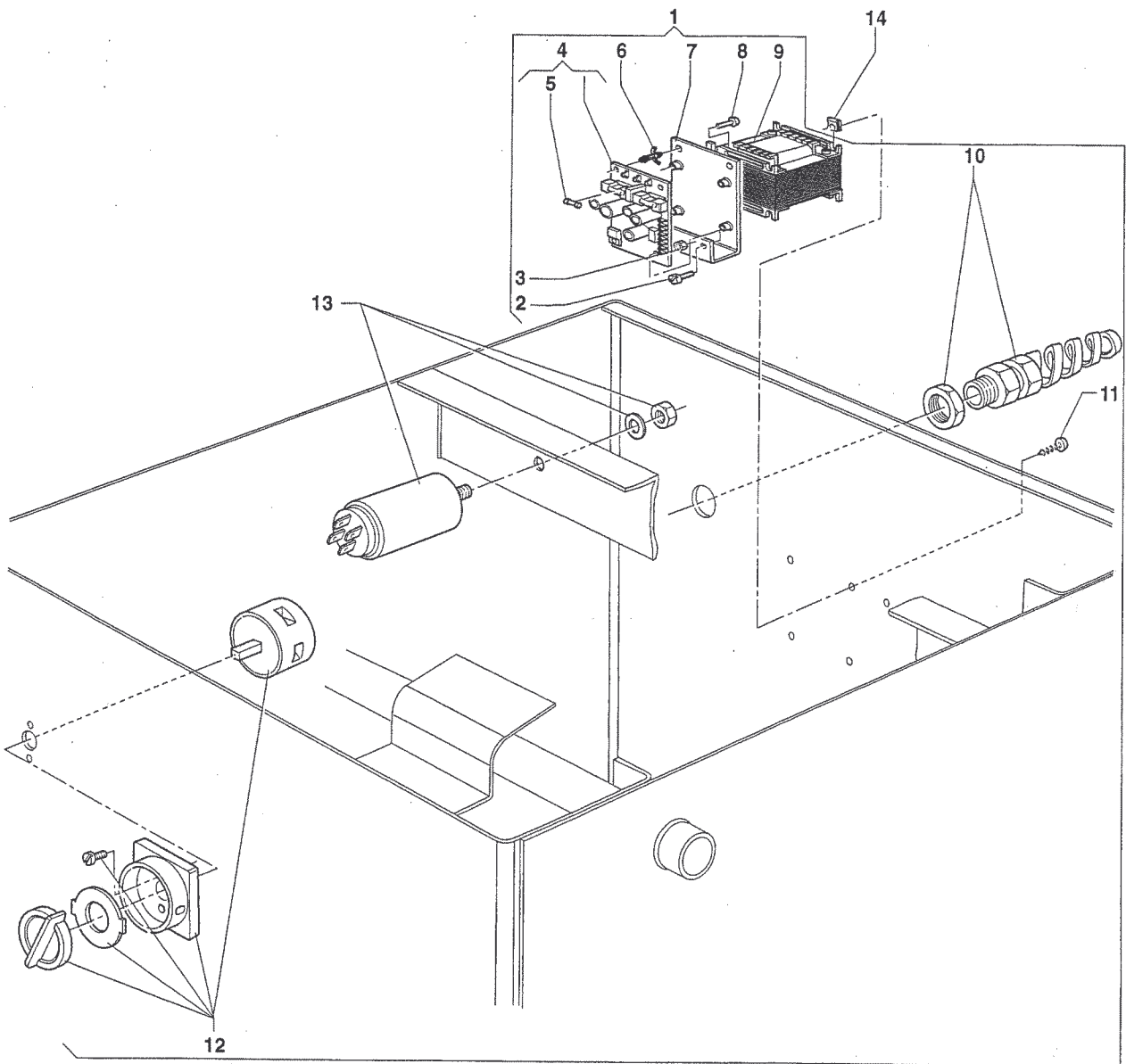




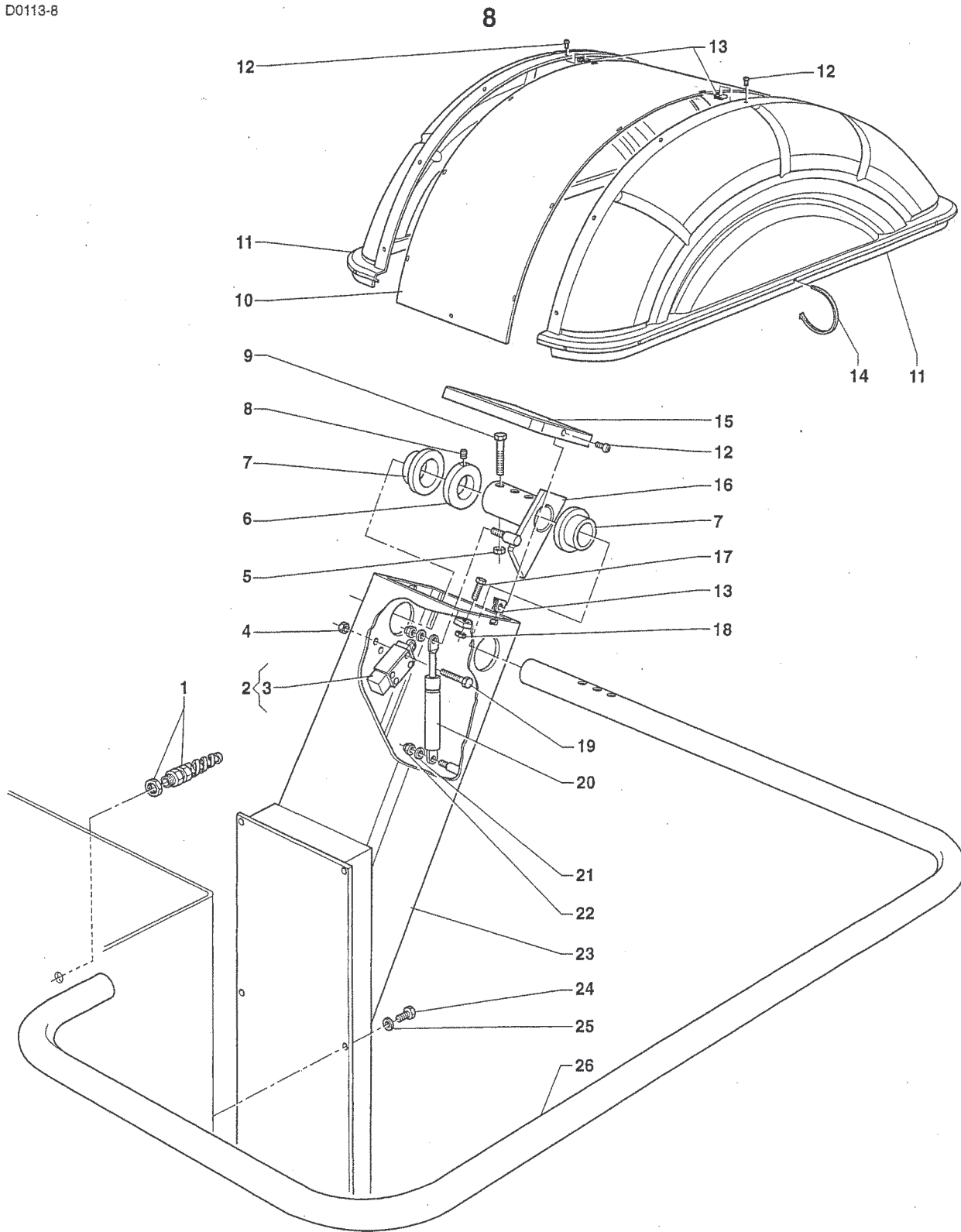
N.	CODE	DATA	N.	CODE	DATA	N.	CODE	DATA
1	141269571		11	314931069	*			
2	86PR36224							
3	050144103							
4	315231015	*						
5	42PR36141							
6	527034980	*						
7	86SC36223							
8	321232003	*						
9	329007043	*						
10	325035004	*						



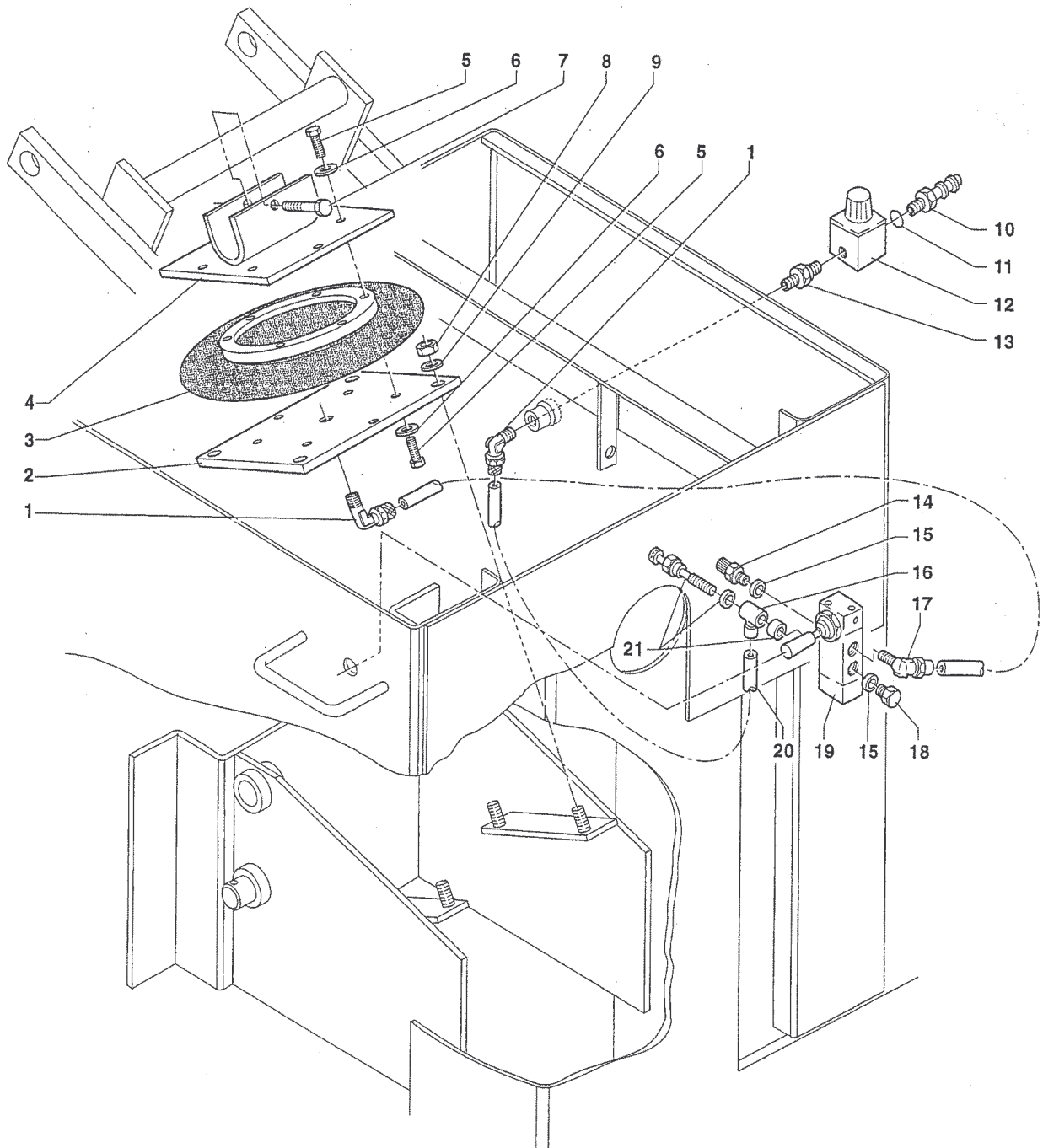
N.	CODE	DATA	N.	CODE	DATA	N.	CODE	DATA
1	313220072	*						
2	21FC32443							
3	181270080							
4	319216031	*						
5	940102388							
6	217027833							
7	312120071	*						
8	420527009							
9	040142902							



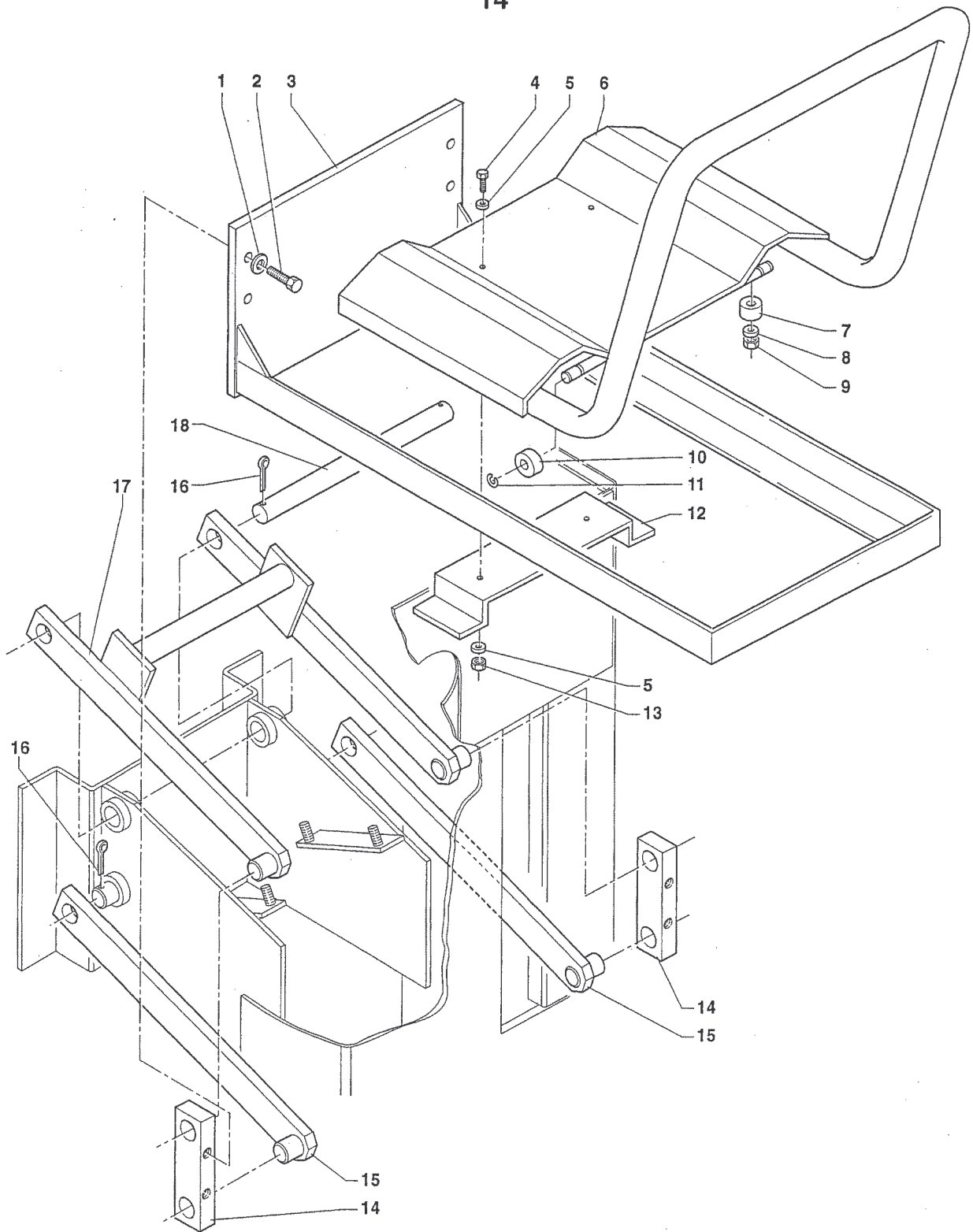
N.	CODE	DATA	N.	CODE	DATA	N.	CODE	DATA
1	940603137	115/230V	11	314931069	*			
2	314231018	*	12	511231002				
3	321232003	*	13	568001458	230V			
4	980512124		13	568003558	115V			
5	681002000	*	14	329007041	*			
6	527006175	*						
7	420619747							
8	317232034	*						
9	611018463							
10	526003246	*						



N.	CODE	DATA	N.	CODE	DATA	N.	CODE	DATA
1	526003237	*	11	14FW31322		21	325035008	*
2	86SB44557		12	317232034	*	22	311233008	*
3	517140515		13	329007043	*	23	42FW33446	
4	321232004	*	14	523031916	*	24	311220070	*
5	321212010	*	15	14FW33850		25	325035006	*
6	42FW31326		16	42FW33448		26	42FW38517	
7	21FW31325		17	311220095	*			
8	319216068	*	18	321232008	*			
9	311120128	*	19	311120042	*			
10	14FW38518		20	18FW31346	*			



N.	CODE	DATA	N.	CODE	DATA	N.	CODE	DATA
1	172082894	*	11	170001408	*	21	163007040	*
2	420228104		12	164000014	*			
3	161900110	*	13	174000201	*			
4	42FL33902		14	163025062	*			
5	311120093	*	15	170001309	*			
6	325035008	*	16	172080592	*			
7	311120100	*	17	172082892	*			
8	321232010	*	18	170001310	*			
9	325035010	*	19	162368905	*			
10	173010901	*	20	179004006	*			



N.	CODE	DATA	N.	CODE	DATA	N.	CODE	DATA
1	42FL32466		11	341000012	*			
2	325035012	*	12	420224163				
3	311120147	*	13	321232006	*			
4	311220071	*	14	42FL33900				
5	325035006	*	15	42FL33901				
6	420228001		16	337110025	*			
7	420424165		17	42FL33904				
8	325035008	*	18	420419938				
9	321232008	*						
10	217024160							